

INSTRUCTION MANUAL FOR

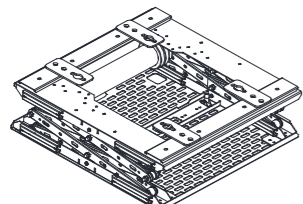
LYFT SLIM XS

Thunderstone Technology (S) Pte Ltd
61 Ubi Road 1 #01-16 Oxley Bizhub 1
Singapore 408727

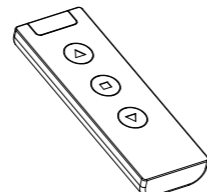
*Lyft*systems

Parts List

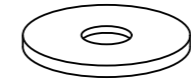
Main body X 1



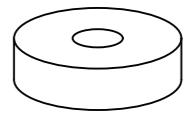
Remote controller X 1



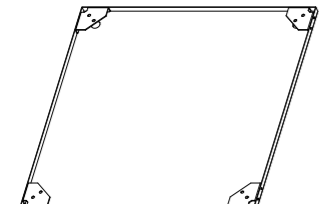
Metal washer (Ø20*Ø6*1.5) X 8



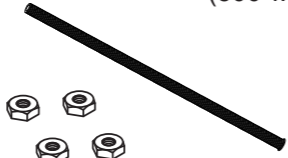
Plastic Washer (Ø20*Ø6*6) X 8



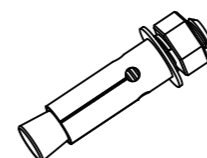
Decorative plate X 1



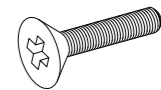
Threaded rod (with 4 nuts)
(500*M6) X 4



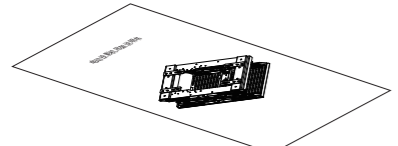
Wall Plug (M10*60) X 4



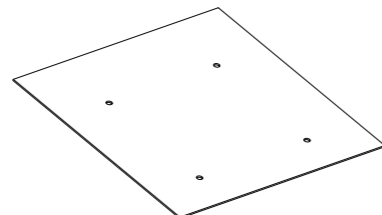
Cross recessed countersunk head screw (M4*25) X 8



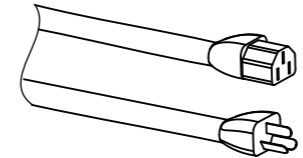
Instruction manual X1




Measuring plate X 1



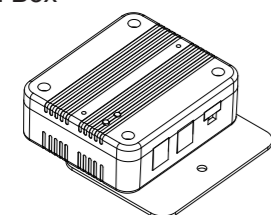
Power cable X 1



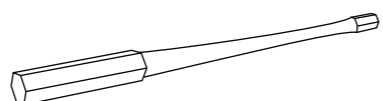
Hanging plate washer (Ø30*Ø11.3) X 4



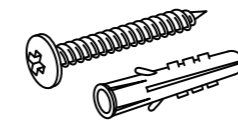
Control Box X 1




Allen key for motor adjustment X1



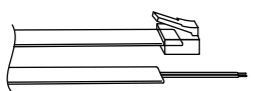
Flat head cross self-tapping screw (M5*40) X 1



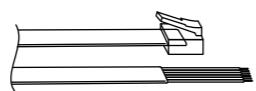
Round head hexagon screw (M6*8) X 8



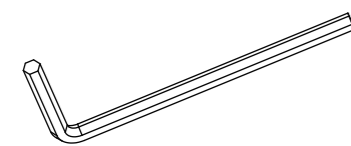
12V trigger cable (1 meter) X1



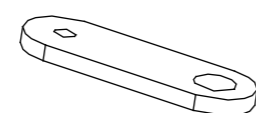
RS232/485 cable (1 meter) X1



M4 hexagon allen wrench X1



Projector screen adjusting plate X4



Profile:

LY Slim XS, the smallest ultra thin body designed for narrow ceiling space. A good choice for small to medium projectors with a maximum vertical extension of 750mm.

Performance:

1. Ultra thin body design perfect for space limitations.
2. Smooth performance with low noise.
3. Equipped with overheat protection function.
4. Easy cable installation

Specification:

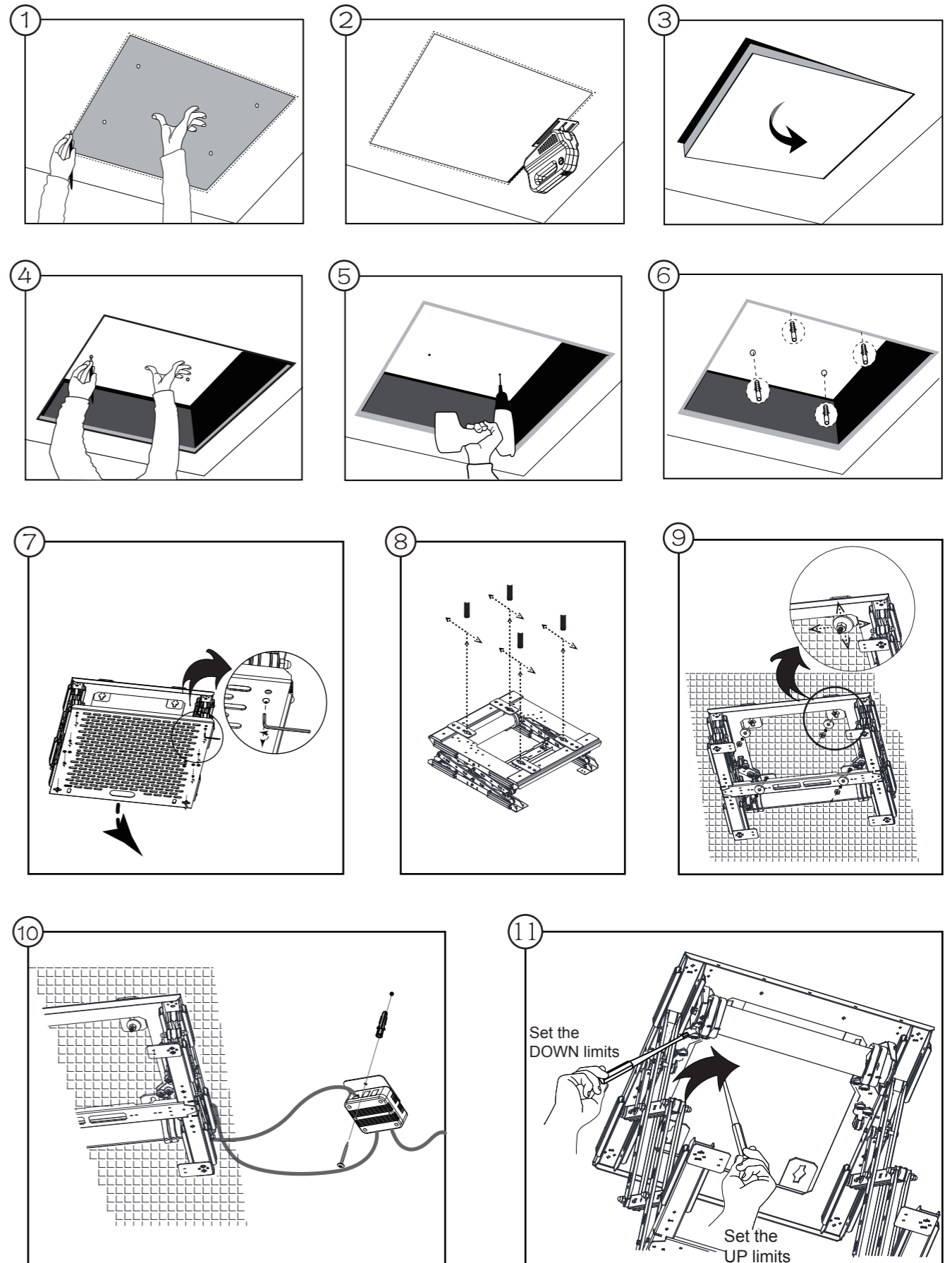
Spec. Model	Dimension (mm)	Lowering Distance (mm)	Base Plate (mm)	Load (kg)	Projector size (mm)	Distance from ceiling to false ceiling(mm)
Slim XS	544*544*168	170-750	574*574	20	Hang: 530*470	Hang: projector thickness +170

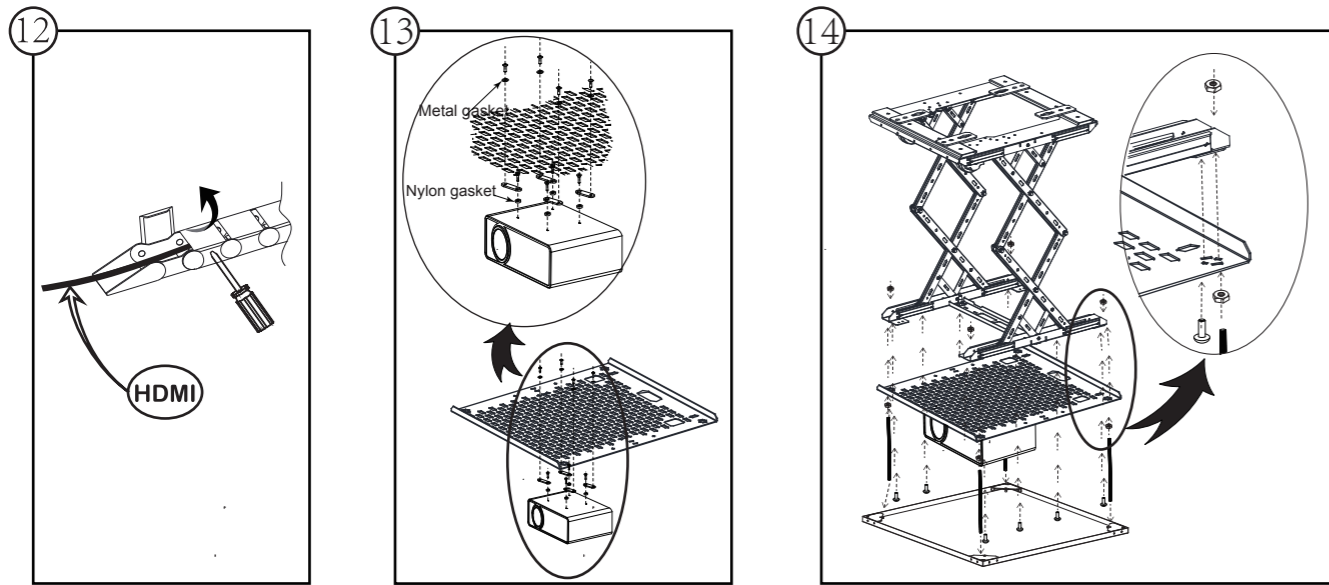
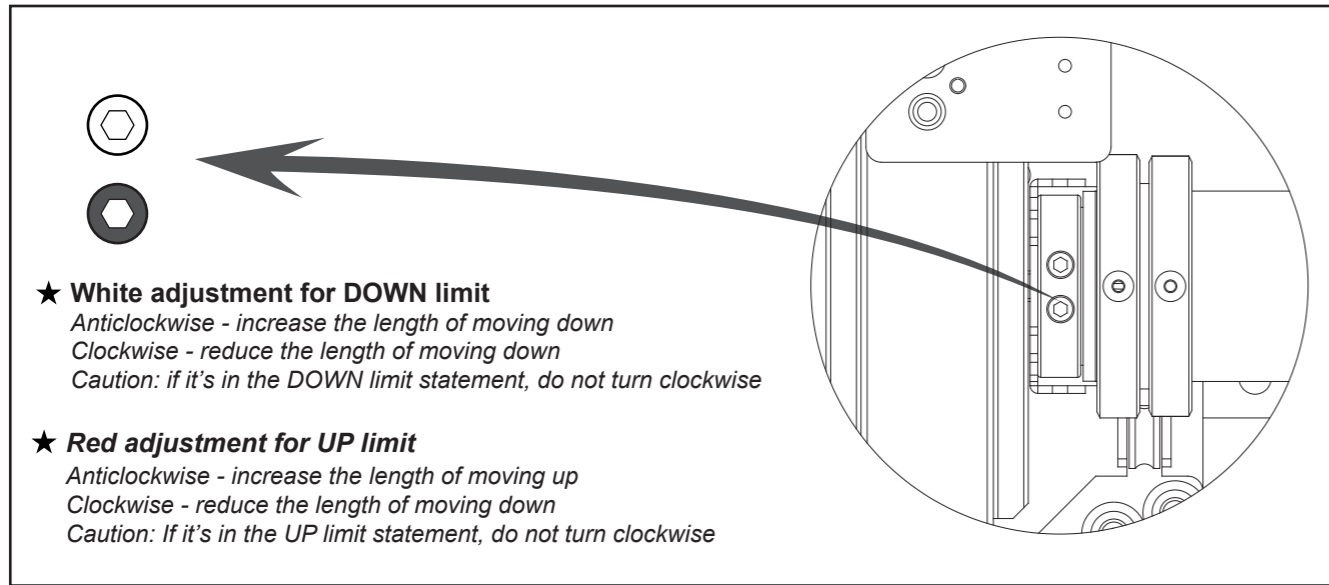
Operating environment for indoor use only:

1. Temperature: -10°C --- +40°C.
2. RH<95%.
3. Environment with non-corrosive gas.
4. Environment without organic aerosol inflammable and explosive gas.
5. Voltage: 100V / 220V (±10%).
6. Avoid violent vibration and collision.

Installation steps :

1. Based on the screen size and the projector's focal distance to determine the installation place; use the measuring plate to mark the lift location on the false ceiling.
2. Cut the holes out as above underline.
3. Keep the cut board for later use.
4. Mark out 4 locations where the expansion screws should locate on the ceiling by the measuring board.
5. Drill out those 4 holes as the marks.
6. Screw a wall plug into each hole.
7. Dismantle the lift tray from the lift.
8. Install the main body onto the screws.
9. With a metal washer to each screw, fine adjust the main body to the right position.
10. Drill the expansion screws hole onto the real ceiling, beside the lift body (please ensure the distance between the screw hole and the lift motor does not exceed its connected cable length), then screw the wall plug into the hole and install the control box by using M5 self-tapping screws. Turn the projector lift on and set the UP and DOWN limits.
11. Install the necessary cables such as HDMI.
12. Install projector under the lift tray, and use M4 screws to fix adjusting plate onto the projector, then use M6 screws to fix the adjusting plate onto the lift tray.
13. Please use M6 screws to attach the installed projector onto the lift, followed by the base plate to suitable position by adjusting the M6 screw nuts.

Installation diagram:



Warnings:

1. Do not do any adjustment without load weights.
2. Ensure the wall plugs are fixed tightly and properly.
3. Bottom of unit must be unobstructed after installation. Sufficient clearance must be allowed below projector or optional ceiling closure.
4. Ensure the projector is installed in the central point to avoid losing the balance.
5. Ensure the projector installed is within the weight capacity limit as indicated.
6. Do not obstruct operation of Lyft Slim XS with fingers or any object. Serious injury or damage could result.

Precautions Measures:

Please refer to below procedures to check if the projector lift is out of order.

1. Ensure the power is connected properly with regular power supply.
2. Do not operate it consecutively. Allow at least 15 minutes interval to prolong the lifespan of the motor.
3. If the projector lift is not responding, allow the motor to rest for 15 minutes, before turning it on again to check if overheat protection is triggered. If the problem remains unsolved, please contact us or the dealers for further assistance. Please do not disassemble or change the structure by your own.

Troubleshooting:

Experienced AV installer is recommended to undertake these procedures:

If the projector lift does not work,

1. Restart after 15 minutes as the overheat protection might be triggered.
2. Check both terminals of the power cord to see if the problem occurs due to no power supply.
3. If the voltage is normal, please check if there are any loose wires or burned fuse.

Control System

